

6500-6505

REACTION TORQUE METERS

Non-rotating torque meters with hexagonal head.

Model 6500 - 500 Nm



Features

- Broad range of capacities : from 2 to 1000 Nm
- Easy to install
- Compact design
- Protection IP 54
- Materials :
 - o stainless steel (6500)
 - o nickel plated steel (6505)
- Available options (non exhaustive list) :
 - o high service temperature (up to 180 °C)
 - o ATEX intrinsic safety Ex II 1GD Ex ia IIC T6 or T4 Ga Ex ia IIIC T80°C Da
 - o amplified output (V or mA) and digital output signal (RS-232C, RS-485, USB)
 - o double strain-gage bridge
 - o cable output with connector

Applications

The SENSY's load cells 6500-6505 are perfectly designed to the following applications :

- Calibration of industrial screw drivers with torque control
- Servo control or torque limitation on industrial process

Capacities

6500 - 6505 : 2 - 5 - 10 - 20 - 30 - 50 - 100 - 200 - 300 - 500 - 750 - 1000 Nm

Specifications	0.25	
Combined error	< ± 0.25	% F.S.
Linearity error	< ± 0.25	% F.S.
Repeatability error	< ± 0.1	% F.S.
Creep error over 30 min.	< ± 0.1	% F.S.
Zero shift after loading	< ± 0.025	% F.S.
Reference temperature	23	°C
Nominal temperature range	-10...+45	°C
Service temperature range	-30...+70	°C
Storage temperature range	-50...+85	°C
Temperature coefficient of the sensitivity	< ± 0.05	% F.S./10°C
Temperature coefficient of zero signal	< ± 0.035	% F.S./10°C
Zero balance	± 0.02	mV/V
Sensitivity tolerance	< ± 0.3	%
Input resistance	352 ± 2	Ohm
Output resistance	352 ± 2	Ohm
Insulation resistance (50V)	> 5000	Megaohm
Reference excitation voltage	10	VDC
Nominal range of excitation voltage	3..12	VDC
Nominal sensitivity	1.5	mV/V
Safe load limit	120	% F.S.
Breaking load	>300	% F.S.
Static lateral force limit	10	% F.S.
Permissible dynamic loading	40	% F.S.

F.S.: full scale - Specifications subject to change without notice

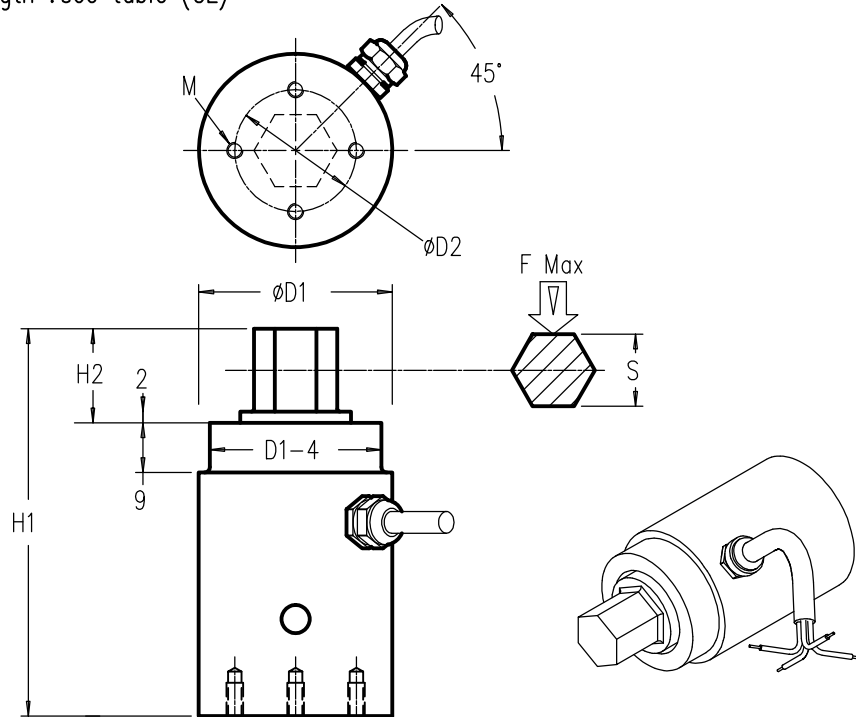
STATIC TORQUEMETER

model 6500 stainless steel REACTION TORQUE TRANSDUCER

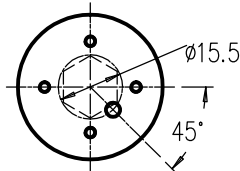


Range: 2 Nm–1000 Nm IP 54

Cable length : see table (CL)



CAPACITIES	H1	H2	H3	H4	$\phi D1$	M	$\phi D2$	$\phi D3$	$\phi D4$	$\phi D5$	S	F (N)	CL						
2 – 5 Nm	70	15	78	8	35	4 x M3	22	4x4.2	45	54	13	40	0.5 m						
10 – 20 Nm												80	0.5 m						
50 Nm			81	11		54						4 x M6	38	4x6.5	68	79	24	200	1.5 m
100 Nm																		400	1.5 m
200 Nm																		900	1.5 m
300 Nm	85	17	85	16	62	6xM8	48	6x8.5	80	98	1300	1.5 m							
500 Nm											1600	3 m							
750 Nm											2200	3 m							
1000 Nm	/	20	90	18	/	/	/	/	/	/	38	3000	6 m						



TYPE 6500-A
(axial cable output)

TYPE 6500-B
(With connector)

